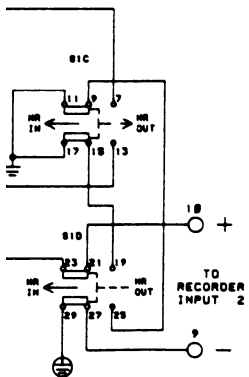
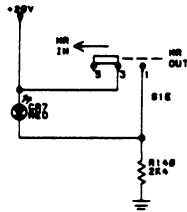
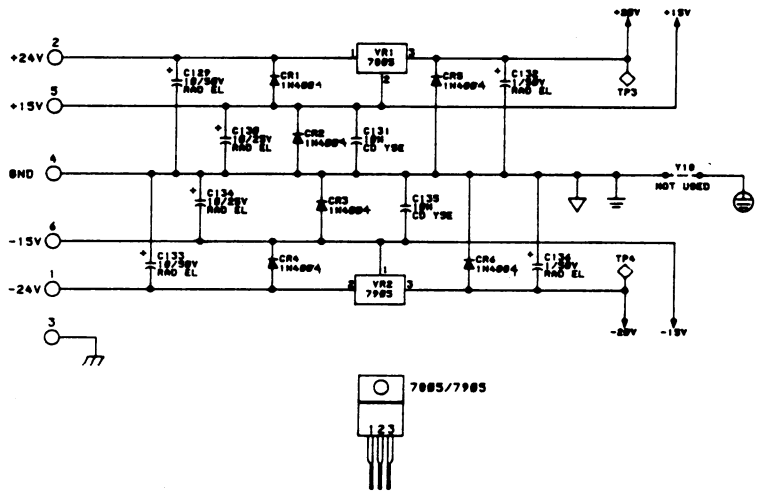


CHANNEL  
1



CHANNEL  
2



- NOTES:
- UNLESS OTHERWISE SPECIFIED.
  - ALL RESISTORS ARE EXPRESSED IN OHMS AND ARE 1/4W, 5%.
  - ALL CAPACITORS ARE EXPRESSED IN MICROFARADS.
  - ALL MYLAR CAPACITORS ARE +/-5%.
  - ALL NPO AND S2L CERAMIC DISC CAPACITORS ARE +/-5%.
  - ALL YSE CERAMIC DISC CAPACITORS ARE +/-10%.
  - ALL POLYPROPYLENE CAPACITORS ARE +/-2.5%.
  - ALL RADIAL ELECTROLYTIC CAPACITORS ARE +/-20% AND ARE LOW LEAKAGE.
  - SELECT A 10 MFD ELECTROLYTIC CAPACITOR (C26 AND C126) WITH SELECTION PROCEDURE 4-005 GROUP A OR B.
  - SELECT RESISTOR (R30 AND R130) WITH SELECTION PROCEDURE 4-002 GROUP A OR B.
  - ▽ DENOTES GROUNDS ARE TIED CLOSELY TOGETHER AND RETURN TO CENTRAL GROUND SEPARATELY.